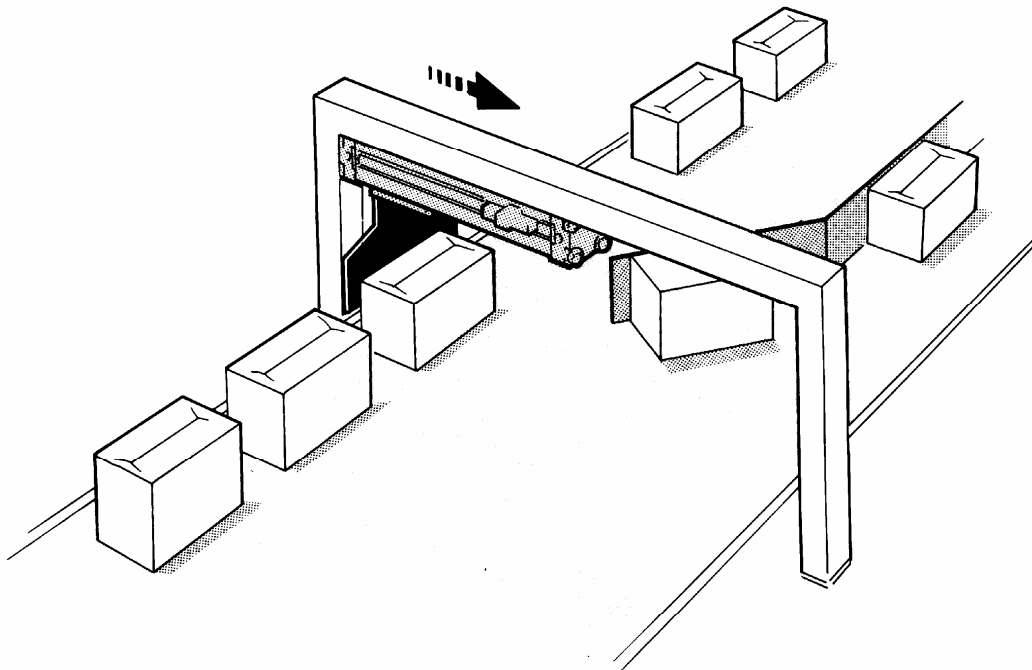


ORIGA RODLESS CYLINDERS AT WORK



Problem

A manufacturer in the confectionery industry needed to reject incomplete boxes of product from a high speed conveyor. The boxes had to be moved rapidly, a distance of 120mm.

Solution

A simple blade was attached to the yoke of an Origa 25mm rodless cylinder which was activated by optical sensors. End face porting and Viton seals were necessary to achieve the required operating cycle at less than 0.28 second.

Results

- Simple compact design
- Low engineering costs
- Eliminated manual task
- Very high speed attained
- Achieved level of hygiene required.

Adelaide Pneumatic Sales Pty Ltd

Telephone (08) 8383 7177 ● Facsimile (08) 8383 7285
pneumatic@senet.com.au